

## Example of using HCS Labview Driver

### Introduction

- vi filename : HCS LabView example.vi

(Download from

<http://www.manson.com.hk/getfile/index/action/product/name/532ff2733bb2c.vi>)

- This example can use with following HCS models.

(3100, 3150, 3200, 3202, 3300-000UG, 3302-000UG, 340X-000UG, 360X-000UG)

- Setting Voltage and Current.

- Setting Power Supply Output ON/OFF.

- Reading and display Output Voltage Voltage and Current.

### Get HCS LabView Driver

You have two ways to get HCS LabView Driver

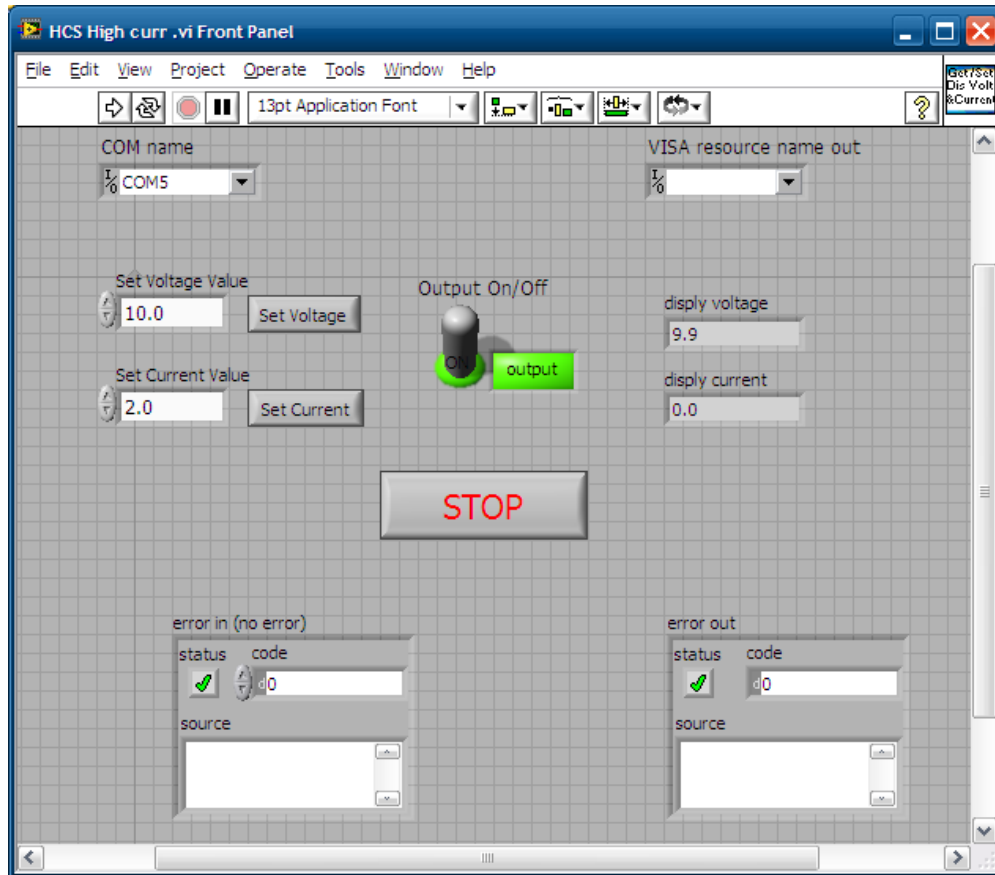
i. Get it from CD come with HCS power supply

ii. Download LabView driver for your model from following website

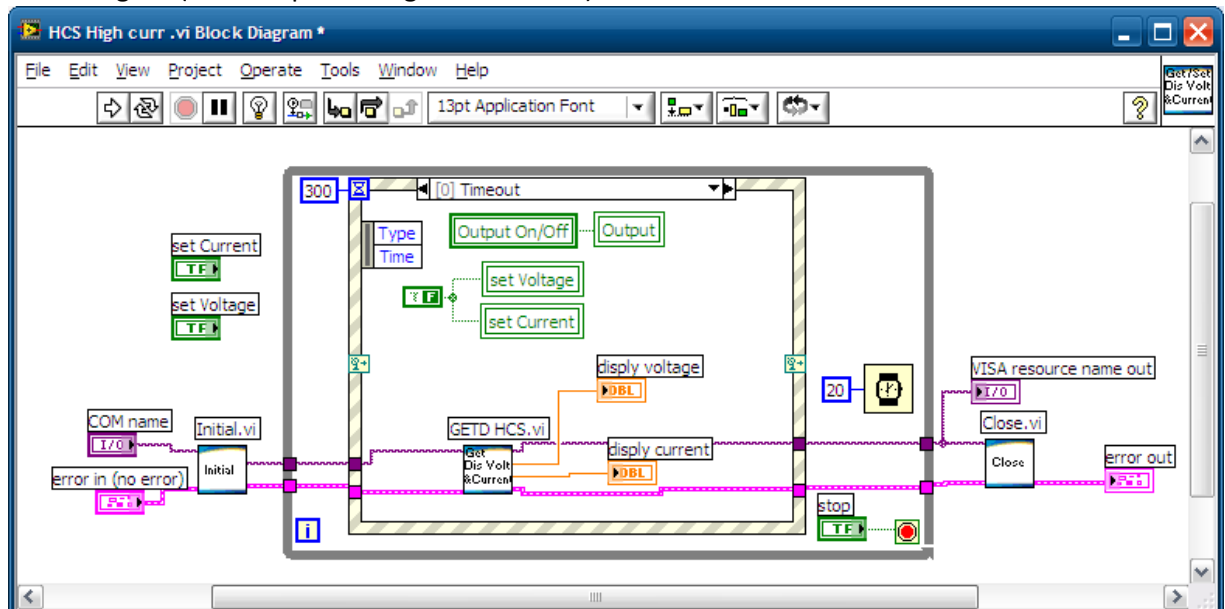
[http://www.manson.com.hk/download/category/dc\\_power\\_supplies](http://www.manson.com.hk/download/category/dc_power_supplies)

## Front Panel and Block Diagram of example

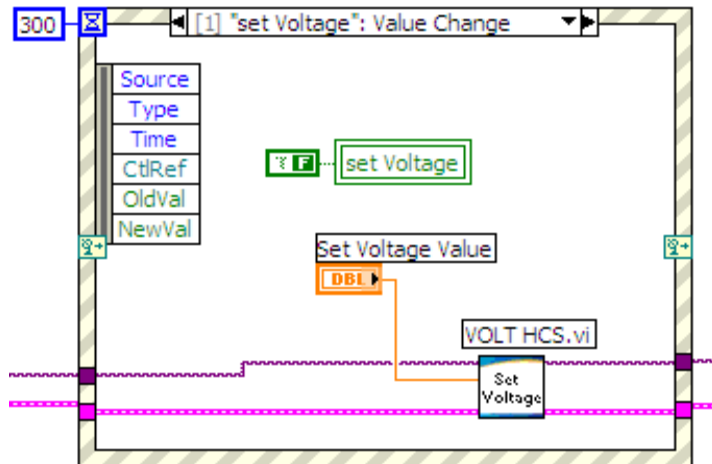
Front Panel :



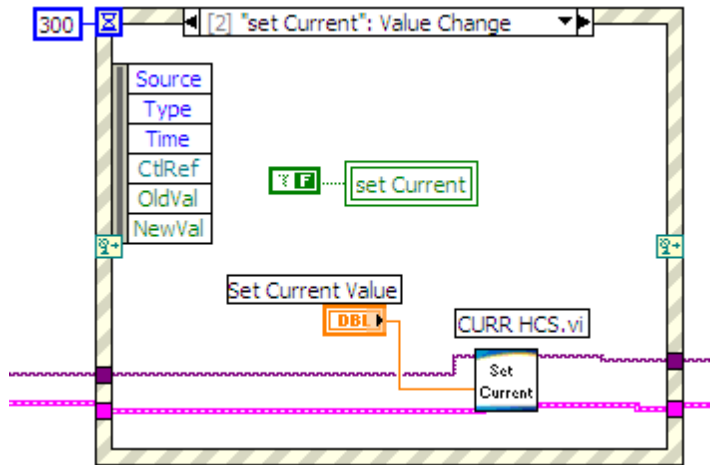
Block Diagram(read output Voltage and Current)



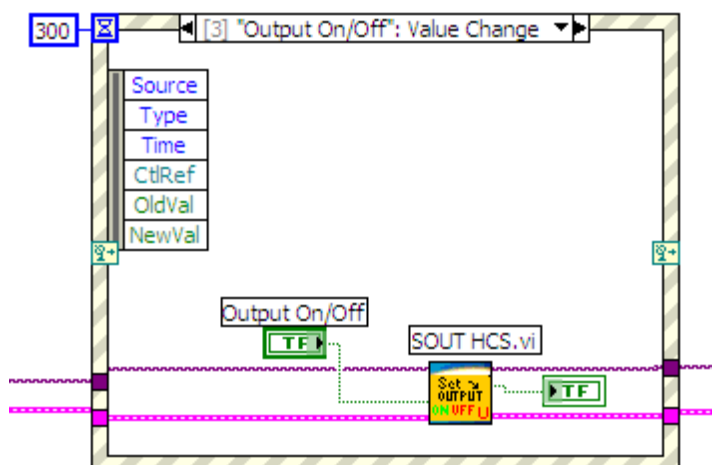
Block Diagram(Set output Voltage).



Block Diagram(Set output Current).

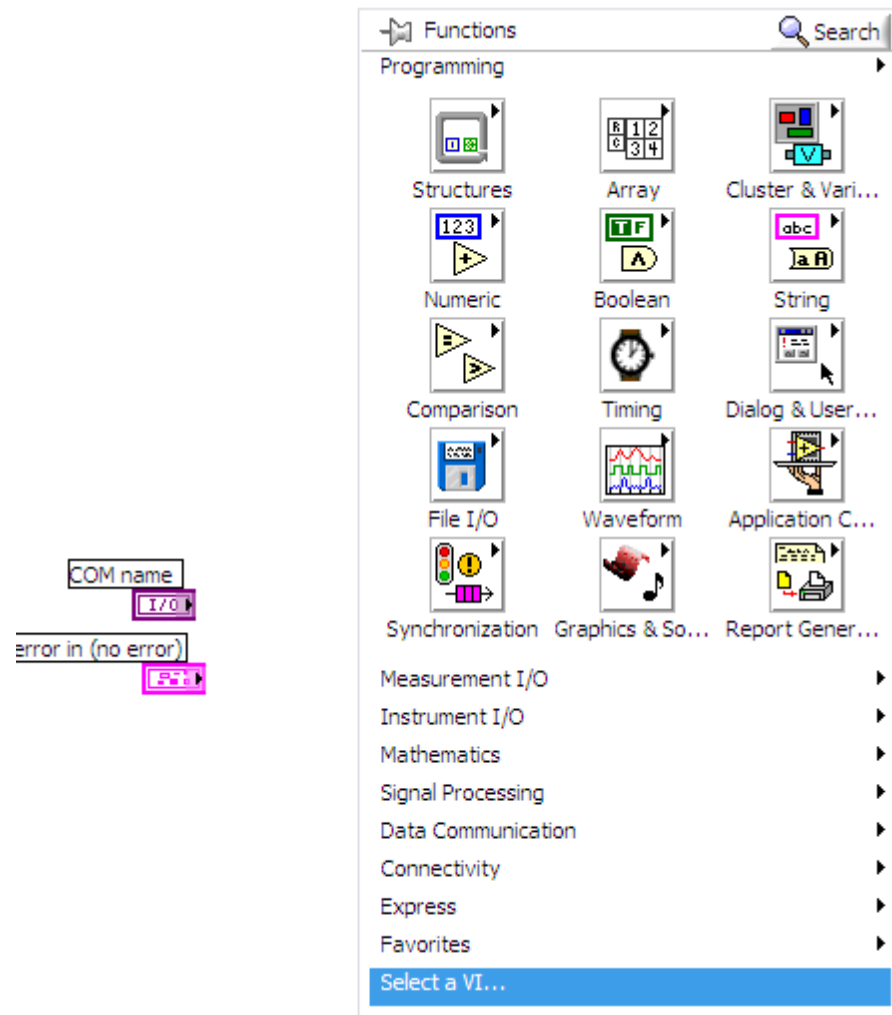


Block Diagram(Setting output ON/OFF).



## Open HCS LabView Driver

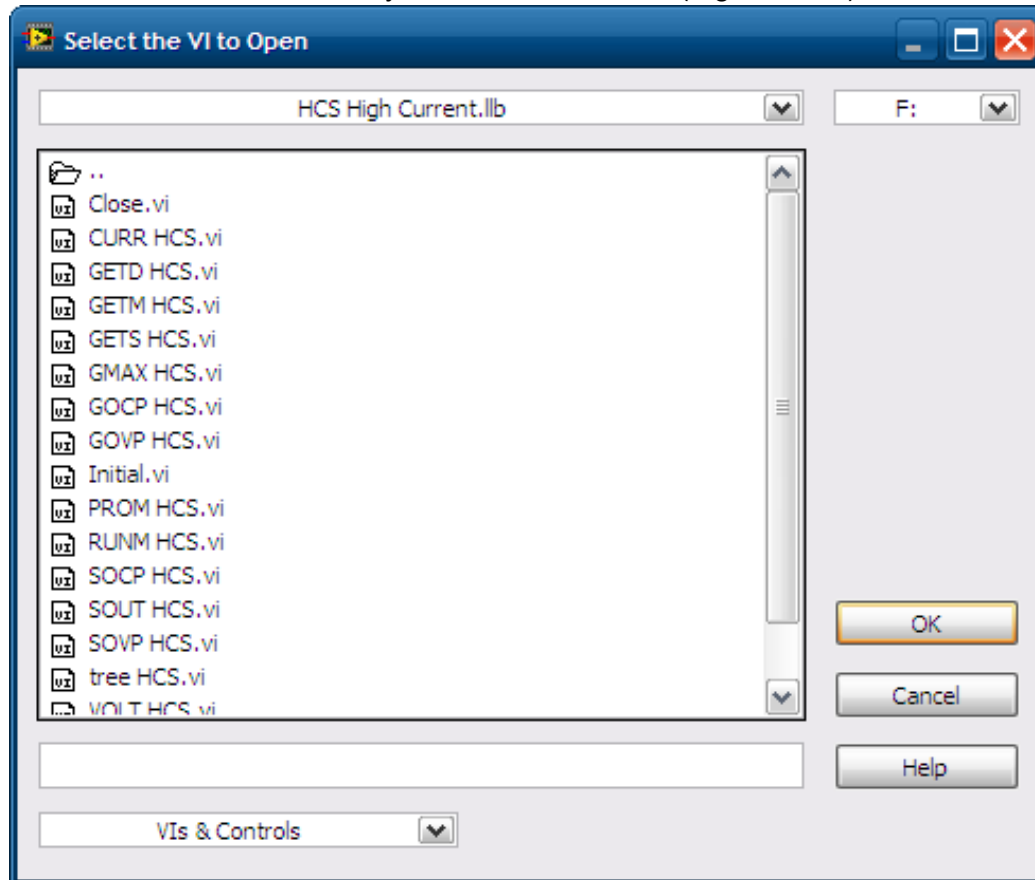
- Open LabView and right click on the page to get following screen.



- Then click “Select a VI”

- Select HCH LabView driver (e.g HCS High Current.llb)

- Select related command vi you would like to use. (e.g. Initial.vi)



- Then connect it as usual as you use other vi for LabView.

